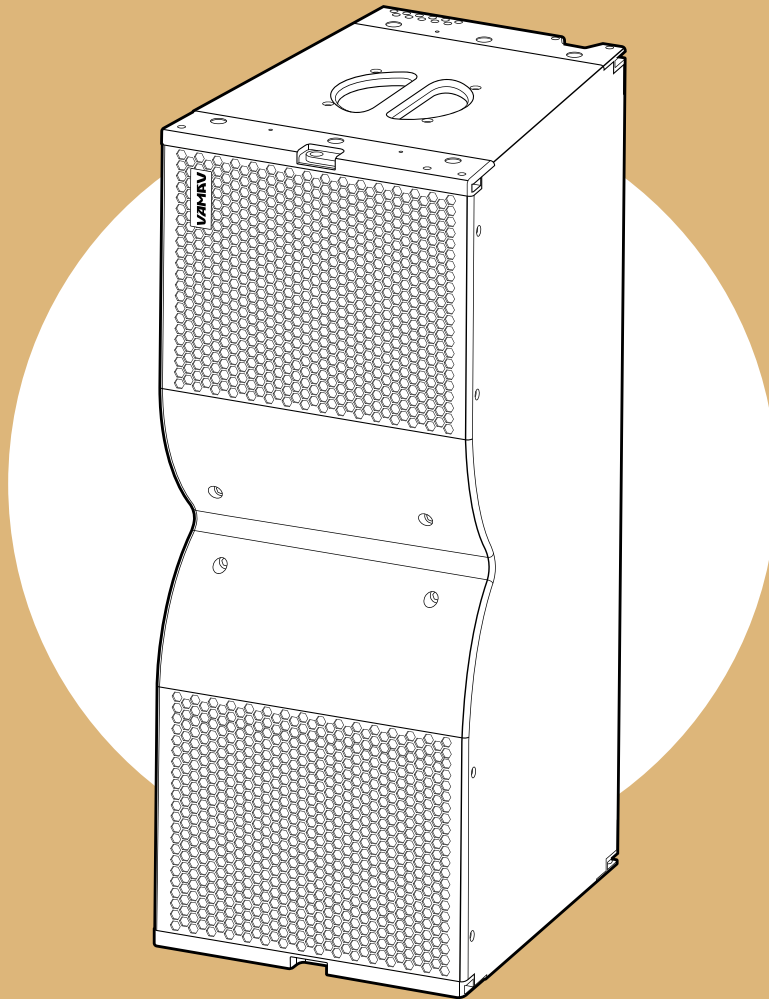


VAMAV[®]



LINE ARRAY SPEAKER USER MANUAL

LATX210

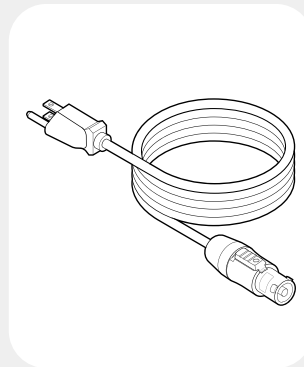
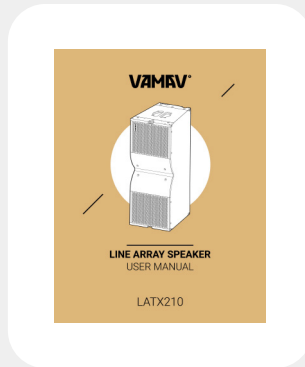
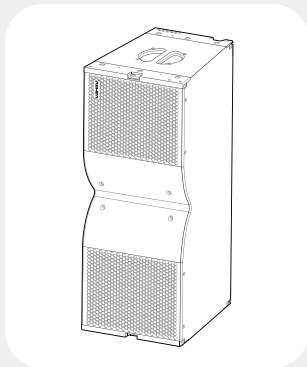
TABLE OF CONTENTS

Thanks for Choosing **VAMAV**[®]

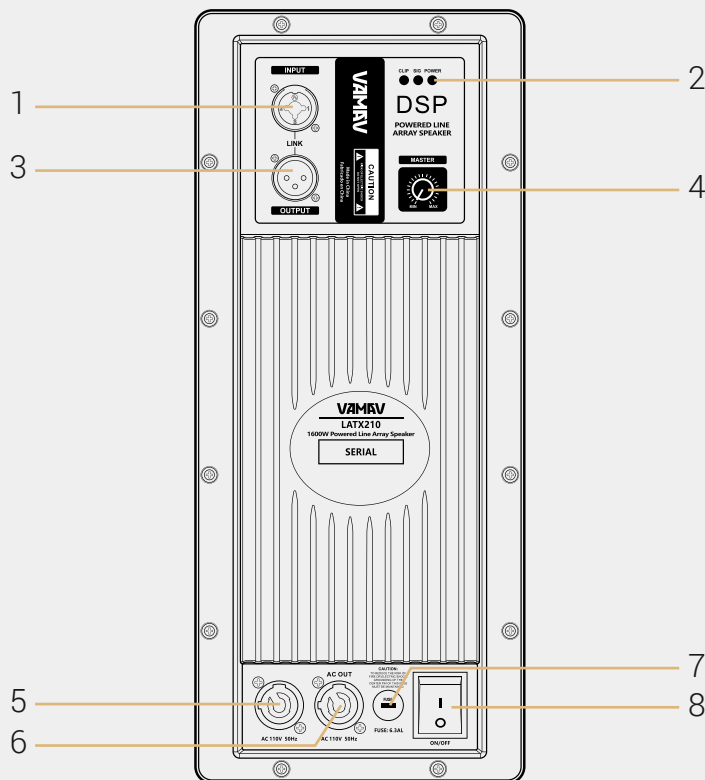
What is Included	03
Rear Panel Instructions	03
Installation Guideline	04
Safety Instructions	05
Specifications	07
Troubleshooting	07

WHAT IS INCLUDED?

- 1 LATX210 Line Array Speaker
- 1 User Manual
- 1 Neutrik PowerCon Power cable
- 1 Warranty Card



REAR PANEL INSTRUCTIONS



1. **Line Input:** A combination 1/4" / XLR input jack used for connecting line-level sources.
2. **Operating LEDs:**
 - **POWER LED:** Illuminates when the speaker is powered on.
 - **SIG LED:** Illuminates when an input signal is present.
 - **CLIP LED:** Illuminates when the signal is clipping. If clipping occurs, the input volume should be reduced to prevent distortion and potential damage.
3. **Link Output:** An output port that allows you to connect and pass the audio signal to another active speaker, enabling you to daisy-chain multiple speakers together.
4. **Master Volume Controller:** A knob that controls the overall output volume of the speaker.
5. AC Line Input.
6. AC Line Output.
7. **Fuse:** Main fuse housing.
8. **Power Switch:** ON/OFF function.

INSTALLATION GUIDELINE

Professional Installation

Always hire a professional to install the LATX210 line array speaker. Installation by qualified personnel ensures compliance with safety standards and optimal performance of the equipment.

Use of Flybar

We strongly encourage the use of a fly bar approved by VAMAV that is designed specifically for the LATX210 model.

Stacking Limitations

Do not stack more than 10 units of the LATX210 model to prevent the risk of toppling and potential damage or injury. Ensure that the stacking meets manufacturer's recommended stacking grade and adhere to all stability and safety guidelines.



SAFETY PRECAUTIONS

General Safety

1. Do not install or fly this Line Array speaker unless you are qualified and adhere to all relevant safety standards.
2. Do not use solvents or cleaners based on petrochemicals to clean the plastic enclosure of the Line Array speaker.
3. Do not place objects that emit heat, such as lighting equipment or smoke machines, on the speaker cabinet.
4. Do not expose the Line Array speaker to direct rain or standing water to prevent the risk of electrical shorts and other hazards.
5. Regularly check the connection points and electrical contacts, including those on the spacer, for signs of wear, corrosion, or damage. Address any issues promptly to maintain optimal functionality and safety.
6. Do not handle any of the system's electrical connections with wet hands or while standing in water. Ensure that both your environment and your hands are dry when manipulating the system's components.

Handling Precautions

1. Do not stack the speakers unsafely as it may result in them toppling and causing injury or damage.
2. Do not use the built-in handles for rigging. They are for transportation purposes only.

Additional Safety Precautions for Auto-Amplified Devices

Electrical Integrity

- Do not install the Line Array speaker without first ensuring that the electrical output matches the speaker's requirements.
- Always disconnect the speaker from the power supply before you start any connections.
- Do not let the power cord become crimped or damaged. Avoid contact with other cables and always handle the power cord by the plug.
- Do not replace the fuse with one of different specifications. Always use a fuse of the same rating and dimensions.

Handling and Installation

- Do not use the speaker's handles to hang it. Use proper rigging equipment for any overhead installations.
- Do not lift speakers heavier than 20 kg(45lb) alone. Use team lifting to prevent injuries.
- Do not leave cables unsecured. Manage cables properly to avoid tripping hazards by securing them with tape or ties, especially across walkways.

Operational and Environmental Conditions

- Do not cover the Line Array speaker with anything or place it in poorly ventilated areas to avoid overheating and potential fire risk.
- Avoid placing the Line Array speaker in environments with corrosive gases or salty air, which could lead to malfunctions.
- Do not expose your ears to high sound levels for prolonged periods without protection to prevent hearing loss.
- Do not continue to use the Line Array speaker if it produces distorted sound as this may lead to overheating and potentially a fire.

User Information

- Please read the user manual thoroughly before connecting or operating your new VAMAV loudspeaker, paying special attention to the sections about operational precautions and wiring.



Do not dispose of this product with household waste. The symbol on the product or its packaging indicates it should be taken to an appropriate collection point for recycling. Proper disposal helps prevent potential environmental damage and health hazards while conserving natural resources. For more detailed information about recycling this product, please contact your local city office, your household waste disposal service, or the shop where you purchased the product.

VAMAV Inc. reserves the right to make changes without prior notice in order to correct any errors and/or omissions.

Please always consult the most recent version of the manual at www.VAMAV.com.

SPECIFICATIONS

RMS Power	800W
Maximum Power	1600W
Max SPL	130dB
Driver Information	LF: 2*10" neodymium woofer with 2.5" voice coil HF: 1*3" neodymium voice coil
Materials	Plywood with Polyurea coating
Voltage	110v-230v
Amplifier	Class D DSP
With Display	No
Wireless Connectivity	No
Product Dimension(LxWxH)	78.5x45x30 cm / 30.9x17.7x11.8 inches
Product Weight	28.2 kg / 62.2 lb

TROUBLESHOOTING

Problems	Solutions
The power won't turn on.	<ul style="list-style-type: none"> • Check Connections: Ensure that the power cord is securely and safely plugged into both the Line Array speaker and the power outlet. • Power Switch: Verify that the power switch is turned on.



Problems	Solutions
<p>No sound is produced.</p>	<ul style="list-style-type: none"> • Level Settings: Check if the input source level knob is turned all the way down. Adjust all volume controls appropriately within the system, and ensure that the mixer is receiving a signal by observing the level meter. • Signal Source: Confirm that the signal source is operational. • Cable Integrity: Inspect all connecting cables for damage and ensure they are securely connected at both ends. The output level control on the mixer should be high enough to drive the speaker inputs. • Mixer Settings: Make sure the mixer is not muted or a processor loop is not engaged. If any of these settings are on, turn the level down before disengaging.
<p>Distorted sound or noise is present.</p>	<ul style="list-style-type: none"> • Volume Levels: Check if the level knobs for relevant channels and/or the master level control are set too high. • External Device Volume: Lower the volume of the connected device if it's too high.
<p>The sound is not loud enough.</p>	<ul style="list-style-type: none"> • Volume Levels: Confirm that the level knobs for relevant channels and/or master level are not set too low. • Device Volume: Increase the output volume of the connected devices if too low.
<p>Hum is heard.</p>	<ul style="list-style-type: none"> • Disconnecting Cables: Disconnect the cable from the input jack to check if the hum stops, indicating a possible ground loop issue rather than a Line Array speaker fault. • Use Balanced Connections: Utilize balanced connections across your system for optimal noise rejection. • Common Grounding: Ensure that all audio equipment is plugged into outlets with a common ground, keeping the distance as short as possible between the common ground and outlets.

WWW.VAMAV.COM

Looking for help? Contact us to get support.

support@us.vamav.com

www.vamav.com