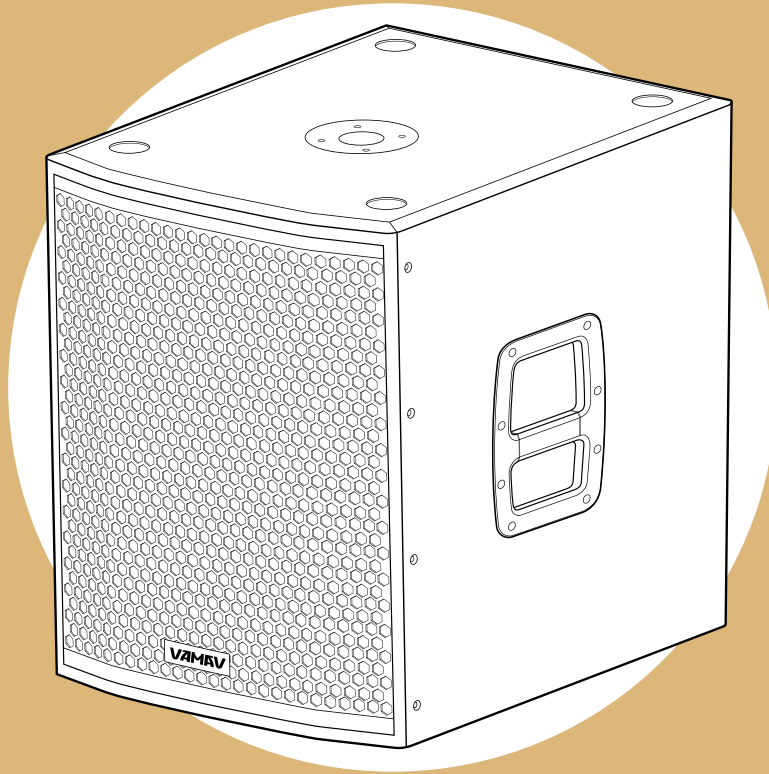


VAMAV[®]



15-inch

SUBWOOFER USER MANUAL

SLX15

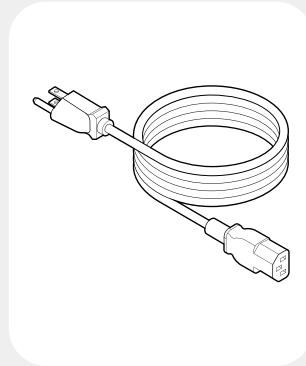
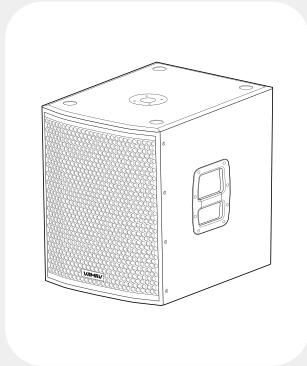
TABLE OF CONTENTS

Thanks for Choosing **VAMA V**[®]

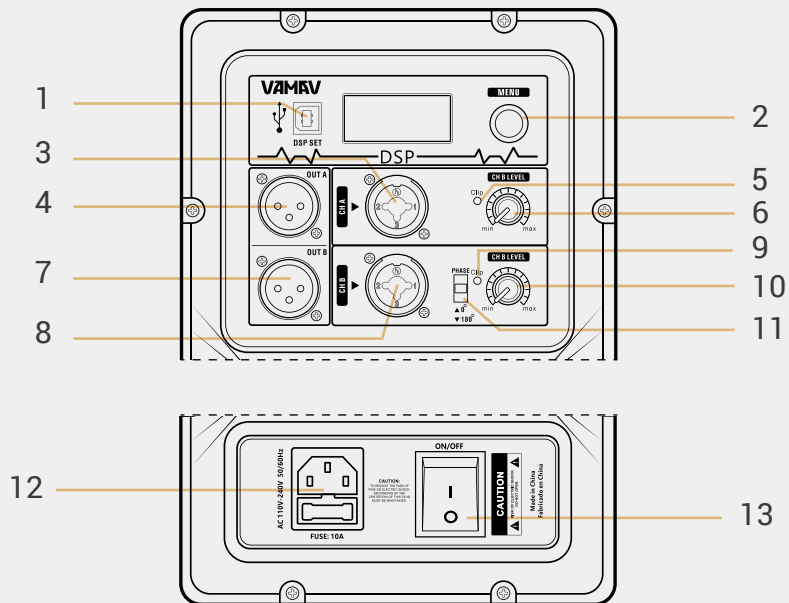
What is Included	03
Rear Panel Instructions	03
General Settings for DSP	04
DSP Settings of Subwoofer	05
Safety Precautions	05
Specifications	08
Troubleshooting	08
Troubleshooting - LCD Display	10

WHAT IS INCLUDED?

- 1 SLX15 Subwoofer
- 1 User Manual
- 1 Power Cable
- 1 Warranty Card



REAR PANEL INSTRUCTIONS





► SLX15 USER MANUAL

1. **DSP Port:** Connects to the computer to adjust the frequency response of the unit.
2. **Menu Preset:** Switches between different mode using this rotary knob.
3. **CH A:** Combination 1/4" / XLR input jack for line-level inputs.
4. **OUT A:** Connects to provide a signal to another active speaker.
5. **Clip LED:** When it turns on, the input signal level is excessive and must be reduced.
6. **CH A LEVEL:** Volume Controller.
7. **CH B:** Combination 1/4" / XLR input jack for line-level inputs.
8. **OUT B:** Connects to provide a signal to another active speaker.
9. **Clip LED:** When it turns on, the input signal level is excessive and must be reduced.
10. **CH B LEVEL:** Volume Controller.
11. **Phase:** Adjusts from 0° to 180°.
12. **Power Cord Input:** Before connecting the power cord, check if the mains voltage corresponds to the voltage indicated on the rating plate of the unit. Connect the power cord only to a mains socket outlet with a protective earthing connection.
13. **Power Switch:** ON/OFF function.

GENERAL SETTINGS FOR DSP

Display Adjustments: Users can customize the brightness and contrast of the LCD display to suit their viewing preferences.

Software Version and Updates: The current software version can be viewed on the display. Updates can be applied via the USB port located next to the screen.

Factory Reset: This option resets the DSP to its original factory settings.

Caution: This will erase all user-saved settings.

The USB port located next to the LCD display is designed for settings configuration and software updates of the DSP, and should not be used for charging devices or any charge-related purposes. Misuse can lead to damage to both the speaker system and the connected device.

Not all models have an USB port. USB cable must be purchased separately.

DSP SETTINGS OF SUBWOOFER



It is recommended to use the factory presets for general purposes. Alterations to DSP settings should be done cautiously and ideally with professional guidance to avoid negatively affecting the system's performance.

DSP Modes

- Preset modes: Normal, Music, Live, Speech, DJ.

Frequency Settings

- Low Pass Filter Options: Adjustable settings include 80Hz, 100Hz, 120Hz, and 150Hz to determine the cutoff frequency for low frequencies.

Delay

- Adjust the signal delay time to align the sound output with other speakers in the setup.

Phase Adjustment for Channel B

- The phase can be toggled between 0° and 180°, suitable for managing how the sound waves align with other speakers, especially in complex setups.



SAFETY PRECAUTIONS

General Safety

1. Do not install or fly this subwoofer unless you are qualified and adhere to all relevant safety standards.
2. Do not use solvents or cleaners based on petrochemicals to clean the plastic enclosure of the subwoofer.
3. Do not place objects that emit heat, such as lighting equipment or smoke machines, on the speaker cabinet.
4. Do not expose the subwoofer to direct rain or standing water to prevent the risk of electrical shorts and other hazards.
5. Regularly check the connection points and electrical contacts, including those on the spacer, for signs of wear, corrosion, or damage. Address any issues promptly to maintain optimal functionality and safety.



6. Do not handle any of the system's electrical connections with wet hands or while standing in water. Ensure that both your environment and your hands are dry when manipulating the system's components.

Handling Precautions

1. Do not stack the subwoofers unsafely as it may result in them toppling and causing injury or damage.
2. Do not use the built-in handles for rigging. They are for transportation purposes only.

Use of M20 Thread

Do not mount speakers exceeding the weight of the subwoofer on the M20 thread to prevent the entire setup from becoming unbalanced and tipping over, which could result in equipment damage or personal injury.

Additional Safety Precautions for Auto-Amplified Devices

Electrical Integrity

- Do not install the subwoofer without first ensuring that the electrical output matches the subwoofer's requirements.
- Always disconnect the subwoofer from the power supply before you start any connections.
- Do not let the power cord become crimped or damaged. Avoid contact with other cables and always handle the power cord by the plug.
- Do not replace the fuse with one of different specifications. Always use a fuse of the same rating and dimensions.

Handling and Installation

- Do not use the subwoofer's handles to hang it. Use proper rigging equipment for any overhead installations.
- Do not lift subwoofers heavier than 20 kg (45 lb) alone. Use team lifting to prevent injuries.
- Do not leave cables unsecured. Manage cables properly to avoid tripping hazards by securing them with tape or ties, especially across walkways.

Operational and Environmental Conditions

- Do not cover the subwoofer with anything or place it in poorly ventilated areas to avoid overheating and potential fire risk.
- Avoid placing the subwoofer in environments with corrosive gases or salty air, which could lead to malfunctions.
- Do not expose your ears to high sound levels from the subwoofer for prolonged periods without protection to prevent hearing loss.
- Do not continue to use the subwoofer if it produces distorted sound, as this may lead to overheating and potentially a fire.

User Information

- Please read the user manual thoroughly before connecting or operating your new VAMAV loudspeaker, paying special attention to the sections about operational precautions and wiring.



Do not dispose of this product with household waste. The symbol on the product or its packaging indicates it should be taken to an appropriate collection point for recycling. Proper disposal helps prevent potential environmental damage and health hazards while conserving natural resources. For more detailed information about recycling this product, please contact your local city office, your household waste disposal service, or the shop where you purchased the product.

VAMAV Inc. reserves the right to make changes without prior notice in order to correct any errors and/or omissions.

Please always consult the most recent version of the manual at www.VAMAV.com.



SPECIFICATIONS

RMS Power	800W
Maximum Power	1600W
Max SPL	129dB
Frequency Range	45Hz-125Hz
Driver Information	4" 100oz Voice Coil
Voltage	110v-240v 50/60Hz
Materials	Wood with 18mm Polyurea coating
Amplifier	Class D DSP
With Display	Yes
Wireless Connectivity	No
Product Dimension(LxWxH)	44.5x57x54 cm / 17.5x22.4x21.3 inches
Product Weight	30.95 kg / 68.23 lb

TROUBLESHOOTING

Problems	Solutions
The power won't turn on.	<ul style="list-style-type: none"> • Check Connections: Ensure that the power cord is securely and safely plugged into both the speaker and the power outlet. • Power Switch: Verify that the power switch is turned on.

Problems	Solutions
<p>No sound is produced.</p>	<ul style="list-style-type: none"> • Level Settings: Check if the input source level knob is turned all the way down. Adjust all volume controls appropriately within the system, and ensure that the mixer is receiving a signal by observing the level meter. • Signal Source: Confirm that the signal source is operational. • Cable Integrity: Inspect all connecting cables for damage and ensure they are securely connected at both ends. The output level control on the mixer should be high enough to drive the speaker inputs. • Mixer Settings: Make sure the mixer is not muted or a processor loop is not engaged. If any of these settings are on, turn the level down before disengaging.
<p>Distorted sound or noise is present.</p>	<ul style="list-style-type: none"> • Volume Levels: Check if the level knobs for relevant channels and/or the master level control are set too high. • External Device Volume: Lower the volume of the connected device if it's too high.
<p>The sound is not loud enough.</p>	<ul style="list-style-type: none"> • Volume Levels: Confirm that the level knobs for relevant channels and/or master level are not set too low. • Device Volume: Increase the output volume of the connected devices if too low.



Problems	Solutions
Hum is heard.	<ul style="list-style-type: none"> • Disconnecting Cables: Disconnect the cable from the input jack to check if the hum stops, indicating a possible ground loop issue rather than a subwoofer fault. • Use Balanced Connections: Utilize balanced connections across your system for optimal noise rejection. • Common Grounding: Ensure that all audio equipment is plugged into outlets with a common ground, keeping the distance as short as possible between the common ground and outlets.

TROUBLESHOOTING - LCD DISPLAY

Problems	Solutions
The LCD screen is not bright enough or hard to read.	<ul style="list-style-type: none"> • Adjust the brightness and contrast settings from the system menu to improve visibility.
Incorrect settings affecting audio performance.	<ul style="list-style-type: none"> • Users may reset all settings to factory defaults. It is recommended to document any custom settings beforehand, as this process will erase all saved configurations.
The LCD screen appears frozen or unresponsive.	<ul style="list-style-type: none"> • Attempt to reboot the device to see if this resolves the issue. Continuous problems might require updating the system software. If the screen remains unresponsive, please contact technical support for further assistance.
Erratic behavior or settings changing unexpectedly.	<ul style="list-style-type: none"> • This issue generally requires intervention from technical support to ensure proper diagnosis and resolution. Users are encouraged to contact support if they experience this problem.

WWW.VAMAV.COM

Looking for help? Contact us to get support.

support@us.vamav.com

www.vamav.com